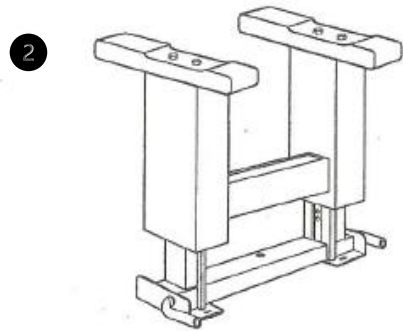
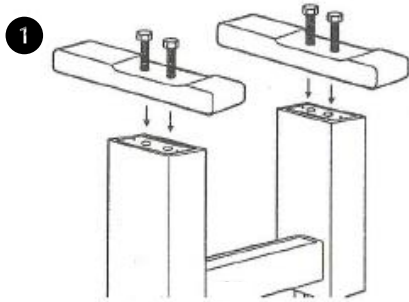


# J880 Piano Bench Assembly Instructions

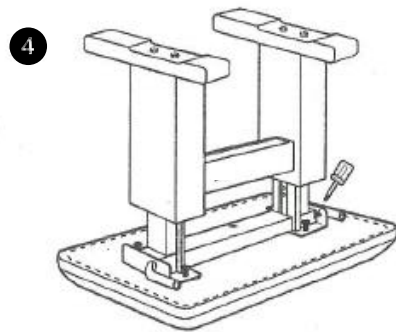
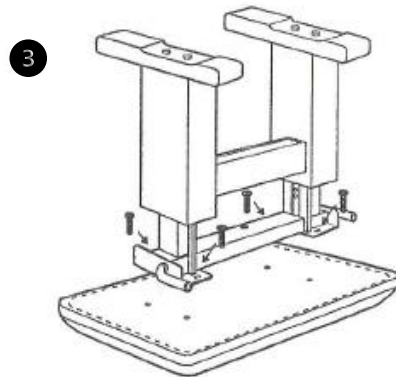
## Before first use:

- Cut tie straps securing base of bench
- Set bench upright
- Hold base of bench with your feet
- Retract both adjusting levers and pull bench all the way up
- While still retracting both adjusting levers, push bench top all the way down
- Bench is ready to use



**Bolt both bench feet  
to bottom of bench legs**

**Tighten bolts securely**



**Bolt bench frame to  
bottom of bench top as shown**

**Tighten bolts securely  
DO NOT overtighten these bolts**